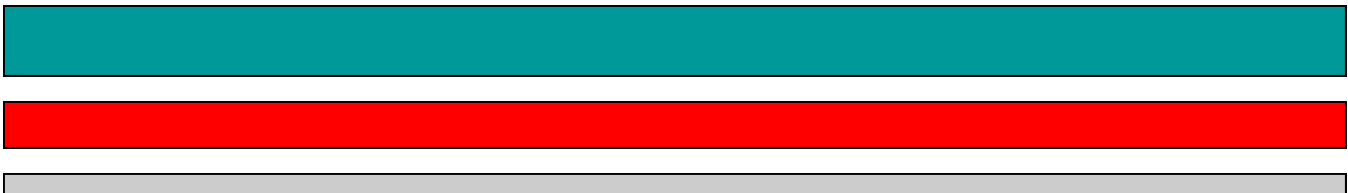




MR25

Instruction Manual For Operation & Maintenance



KID Group
15250 Sunshine Rd.
Yukon, OK. 73099
800-373-9325

Introduction

Thank you for purchasing a Micro Rain MR25 traveling sprinkler system. Please read this manual carefully before operation in order to become familiar with all components and their function. Safety is the main priority and failure to follow these instructions may cause serious injury. Micro Rain is not responsible for machine failure or personal injury if these procedures and operation instructions are not followed.



Caution

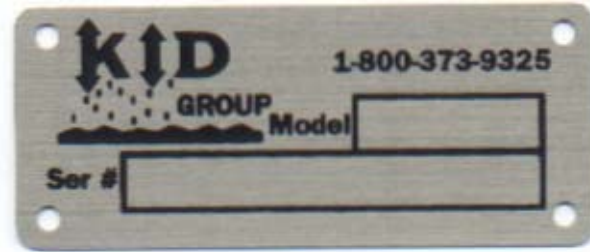


- **Do not operate your Micro Rain traveler without a serious overview of this manual**
- **Keep children and unauthorized people away from traveler**
- **Never allow children access to use the traveler**



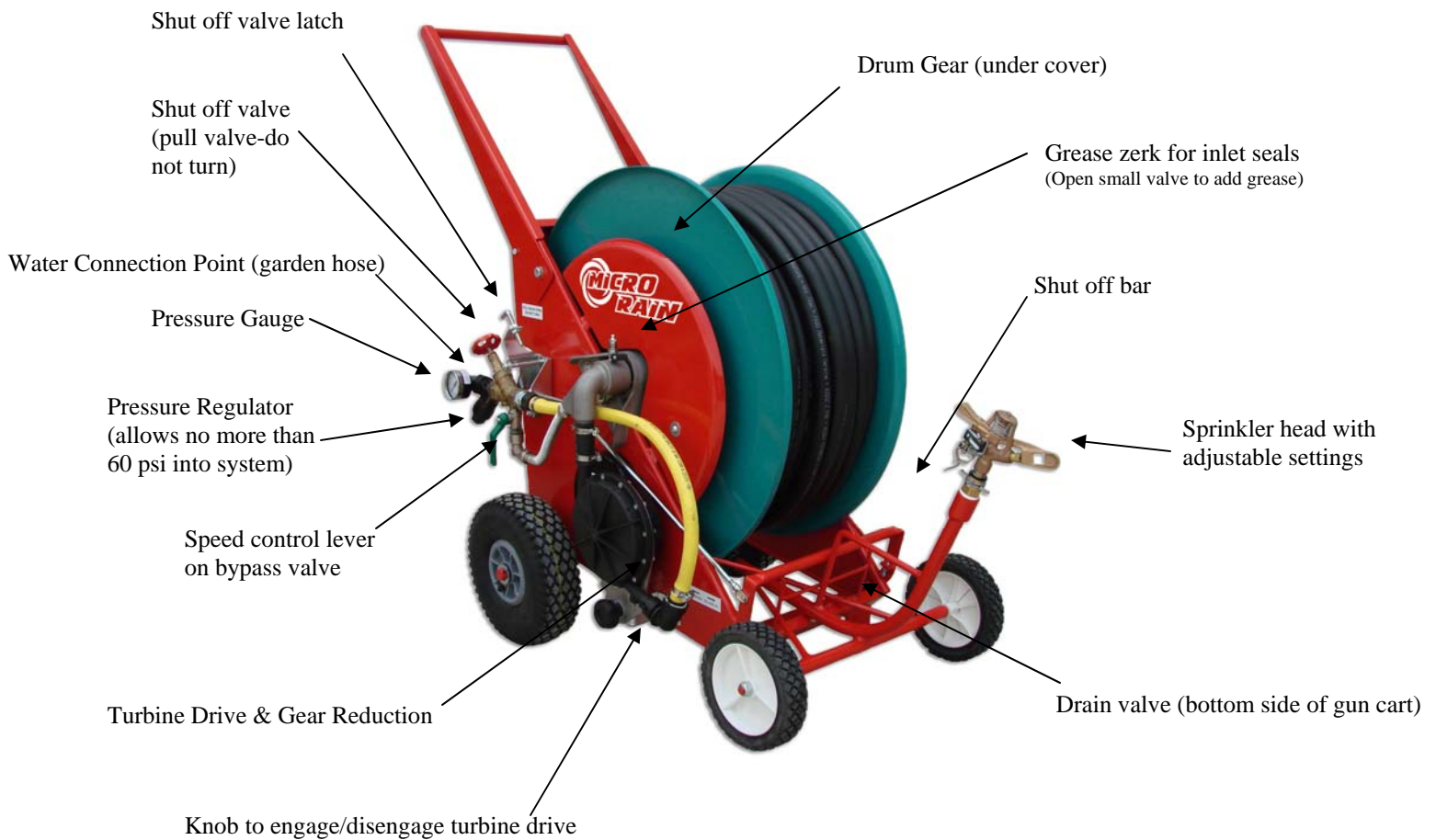
- **Use caution when disconnecting couplings**
When the traveler shut-off valve activates, the supply hose remains pressurized at the end of the run. First, relieve the pressure with the relief valve, then disconnect the supply hose.
- **Use caution with the sprinkler heads**
Pressurized water from the sprinkler head could cause serious damage to people or objects.
- **Use caution during transport**
Travelers are not made for public transit. Do not exceed 7mph on flat roads, or 2 mph on steep inclines.
- **Never service the traveler when it is in operation**
Before servicing, stop the traveler and disconnect the supply line. All safety guards and shields must be in place while operating the traveler.
- **Beware of power lines**
Irrigation water should never contact power lines or any other power source. Never let any part of the traveler or any irrigation pipe get in contact with power source.

Identification Data



The identification plate includes the model and serial number for your machine.

Machine Controls & Components



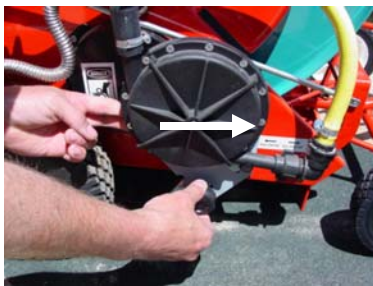
Conditions For Machine Operation

The MR25 is designed for clean water suitable for irrigation. The machine is not designed for water that includes large pieces of debris or slurry/wastewater conditions.

Start Up Procedure/Operation



1) Push the machine to the desired location. Position the machine with the sprinkler cart facing the direction to be irrigated. Insure that the machine is sitting level in order for the tube to wrap properly.

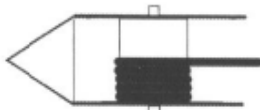


2) Loosen the black turbine lock knob as shown at the bottom of the image to the left by turning counter-clockwise. Now the turbine drive assembly and bracket will slide towards the sprinkler cart (as shown by white arrow) to disengage the turbine drive gears. Re-tighten the knob to hold the turbine drive gear away from the drum gear. Drum will now spin freely allowing sprinkler cart to be pulled out.



3) Sprinkler cart may now be pulled out by hand.

IMPORTANT: Pull the sprinkler cart out in a straight line from the machine to allow the tube to wrap back onto the drum straight. Never make sharp turns with the polyethylene hose and always leave one or two wraps on the drum to keep from pulling the tube off of the drum.

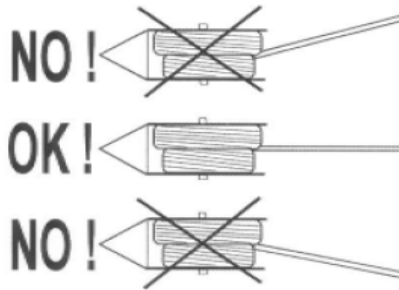


Keep remaining wraps tight!!

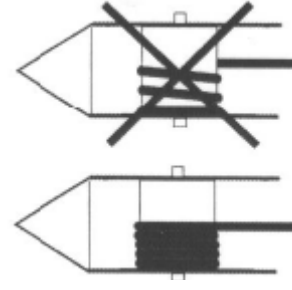
4) Proceed back to the drum and tighten the few loose coils that are left on the drum by hand. This will ensure that the coils start wrapping in the correct manner when the drum starts turning.

Start Up Procedure/Operation, continued

****IMPORTANT: ALWAYS PULL CART OUT STRAIGHT AND TIGHTEN LOOSE WRAPS BEFORE START UP!**



Always Pull Tube Out Straight!

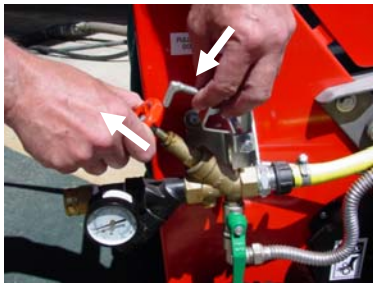


Keep Wraps Tight!



5) Re-engage the turbine assembly by loosening the black knob again and sliding the turbine bracket back into place as shown by white arrow, so that the drive gears mesh. Tighten the black lock knob again to hold the turbine in place.

IMPORTANT: Before proceeding, try turning the drum by hand to make sure it is locked in gear. It should be locked and will not turn.



6) Open shut off valve by pulling the valve handle and latching into the open position by swinging the valve latch down and into position to hold valve open as shown.

IMPORTANT: PULL VALVE, DO NOT TURN!

NOTE: DO NOT PULL VALVE OPEN UNDER PRESSURE. OPENING UNDER PRESSURE WILL DAMAGE VALVE!



VALVE SHOWN IN OPEN, LATCHED POSITION



7) Attach supply hose provided to the inlet of the machine and lock into place as shown

IMPORTANT: MAKE SURE SUPPLY HOSE IS CLEAN AND FREE OF FOREIGN OBJECTS THAT WOULD PLUG THE TURBINE SYSTEM OR SHUT OFF VALVE!

Start Up Procedure/Operation, continued



8) Turn on the water source to the MR25. The sprinkler equipped with the MR25 can be set to water a full circle pattern or any part of a circle. It is generally recommended to water a half circle pattern behind the cart, away from the direction of travel. The MR25 is equipped with a pressure regulator at the inlet to maintain system pressure at no more than 60 psi.



9) Adjust the speed of cart retraction by moving the bypass lever or speed control lever in the directions shown by the arrow. Closing this valve will increase retraction speed and opening the bypass valve will slow down the retraction speed



10) Once the speed is set, the MR25 will automatically roll the tube on the drum and stop at the end of the run utilizing the shut off valve.

IMPORTANT: Your MR25 traveler operates between 3 and 11 gallons per minute. This is regulated by changing the sprinkler nozzle to match your water source's capability. The smallest nozzle is installed in the sprinkler from the factory. If you have a good water source with adequate pressure, it is possible to increase to a larger nozzle size if needed. Consult your application chart and servicing dealer for more information.

Troubleshooting

1) **PROBLEM: NO WATER AT THE SPRINKLER**

SOLUTION: 1. Make sure shut off valve is open.
2. Potential blockage—clean inlet screen/sprinkler nozzle.

2) **PROBLEM: MACHINE WILL NOT ROLL UP**

SOLUTION: 1. Make sure turbine is in the engaged or run position as shown in start up steps.
2. Turbine bypass valve (speed control valve) is opened too far. Close valve to increase speed.
3. Not enough pressure to initiate turbine drive.
4. Debris in inlet filter screen not allowing flow into the machine.

3) **PROBLEM: MACHINE STOPPED DURING RETRACTION**

SOLUTION: 1. Water flow stopped or was lowered during retraction, causing the turbine to stall. Simply turn the bypass valve closed to start retraction once again and adjust speed as needed.

Winterization

MR 25

1. Disconnect Supply Hose.

2. Open and leave shut off valve in run position as shown by the white arrow.

3. Speed control valve must be positioned as shown in the highlighted circle at the right. It is also recommended to disconnect the flex bypass line at the location indicated by the blue arrow.

4. Disconnect yellow entry hose on bottom of turbine as shown by red arrow.

5. Drain guncart by removing plug located on the underneath side of the cart. This is indicated by the black arrow in photo



Guncart drain location on MR 25 and MR 32.

Options



MR25 Air Blow Out Fitting

For use with air compressor to winterize machine.



MR25 Depth Control Plate

Keeps front of machine level and supported in loose soil conditions.



MR25 Boost Pump Option

110v Booster kits to boost incoming pressures by 30 to 50 psi.

Gas driven booster kits also available.

Call your Micro Rain dealer for details.

Maintenance Schedule

Inlet seals: Grease inlet seals every 100 hours.

Drum gear: Grease drum gear every 100 hours.

Turbine Seals: Replace turbine seals every 500 hours or once a season. Consult your dealer for information.

Performance Chart

MR25 PERFORMANCE CHART

4 mm Nozzle

INLET PSI	GPM	80%		RUN TIME(HRS)		
		MAX WIDTH ADJ	WIDTH	MAX LENGTH	0.10 INCH	0.25 INCH
35	3.2	72	58	201	3.10	7.74
50	4	79	63	204	2.69	6.73
60	4.5	86	69	207	2.62	6.55

5 mm Nozzle

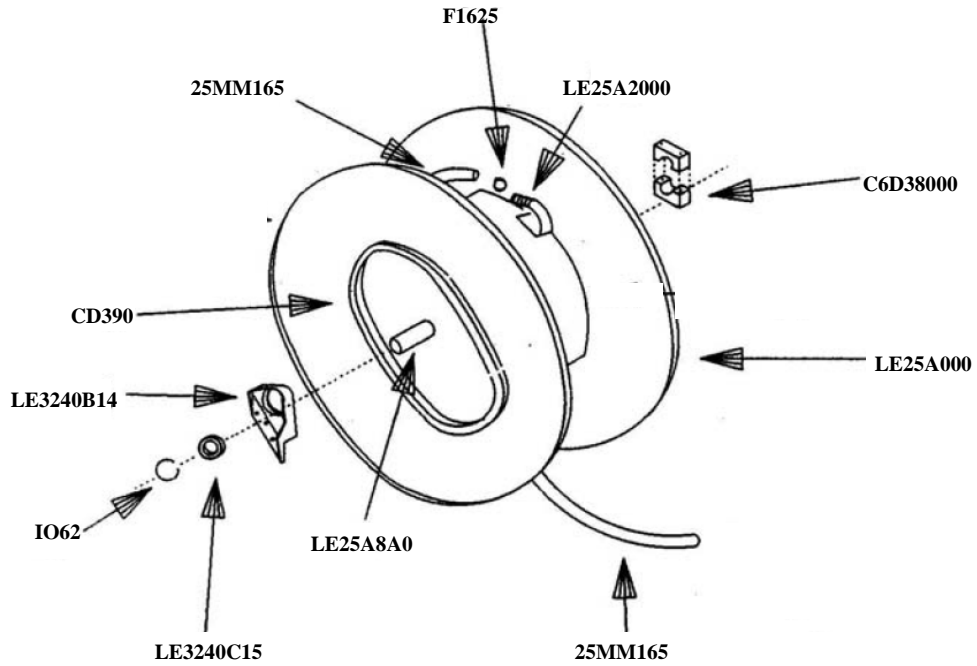
INLET PSI	GPM	80%		RUN TIME(HRS)		
		MAX WIDTH ADJ	WIDTH	MAX LENGTH	0.10 INCH	0.25 INCH
40	5.3	79	63	204	2.03	5.08
50	5.9	86	69	207	2.00	4.99
60	7	92	74	211	1.81	4.51

6 mm Nozzle

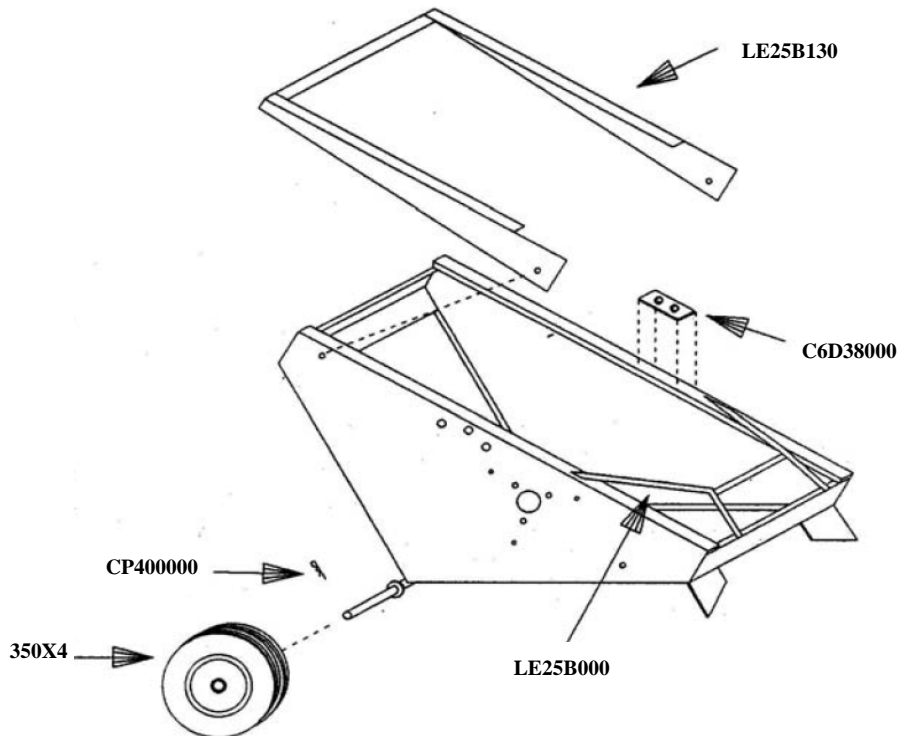
INLET PSI	GPM	80%		RUN TIME(HRS)			
		MAX WIDTH ADJ	WIDTH	MAX LENGTH	0.10 INCH	0.25 INCH	0.50 INCH
45	7.4	86	69	207	1.59	3.98	7.96
55	8.5	92	74	211	1.49	3.72	7.44
60	9.2	95	76	213	1.41	3.53	7.06

Parts Diagrams

DRUM

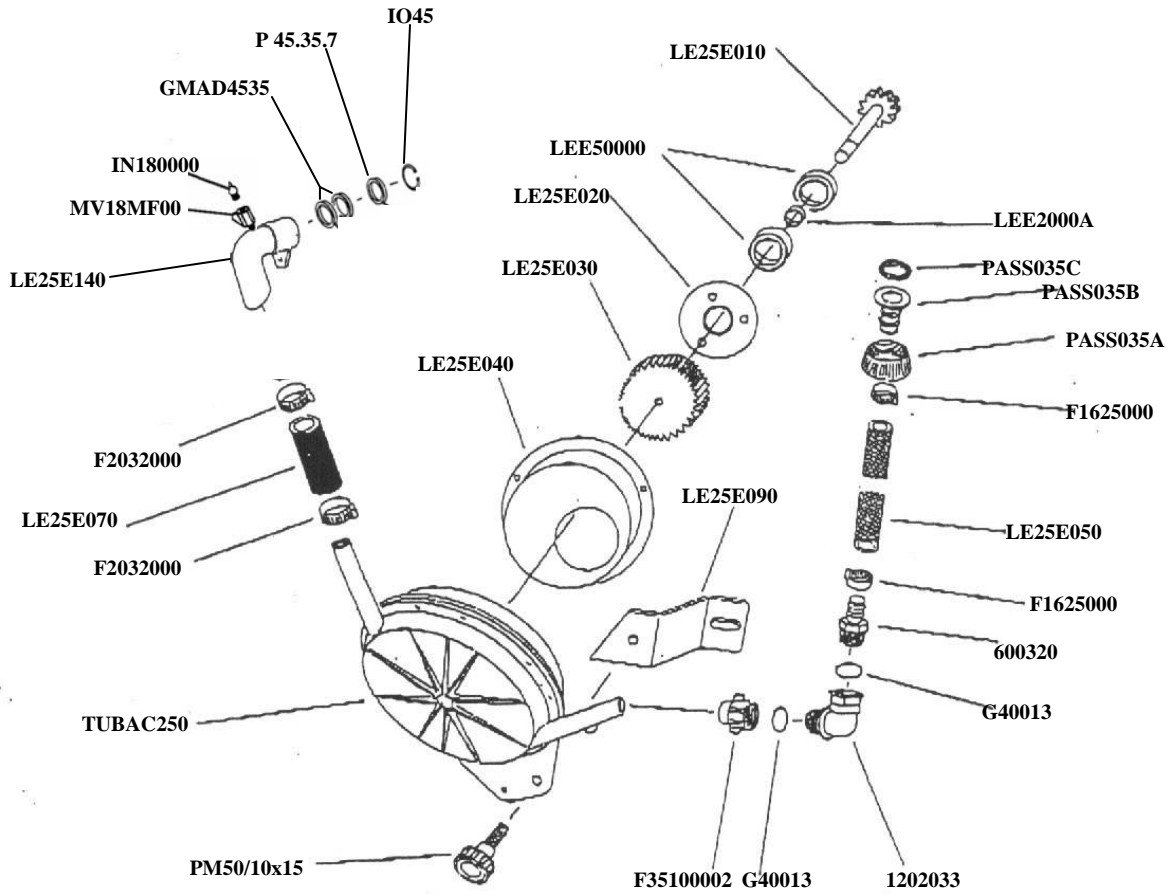


Frame/Chassis



Parts Diagrams

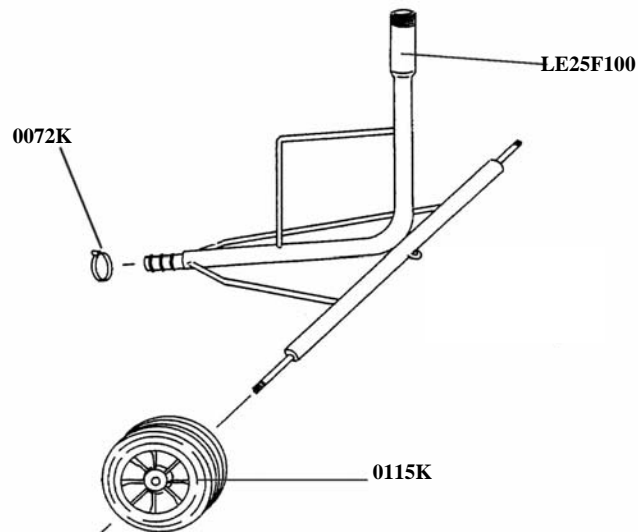
Drive System



BA026027P2 (Standard Speed Drive Gear-not shown)

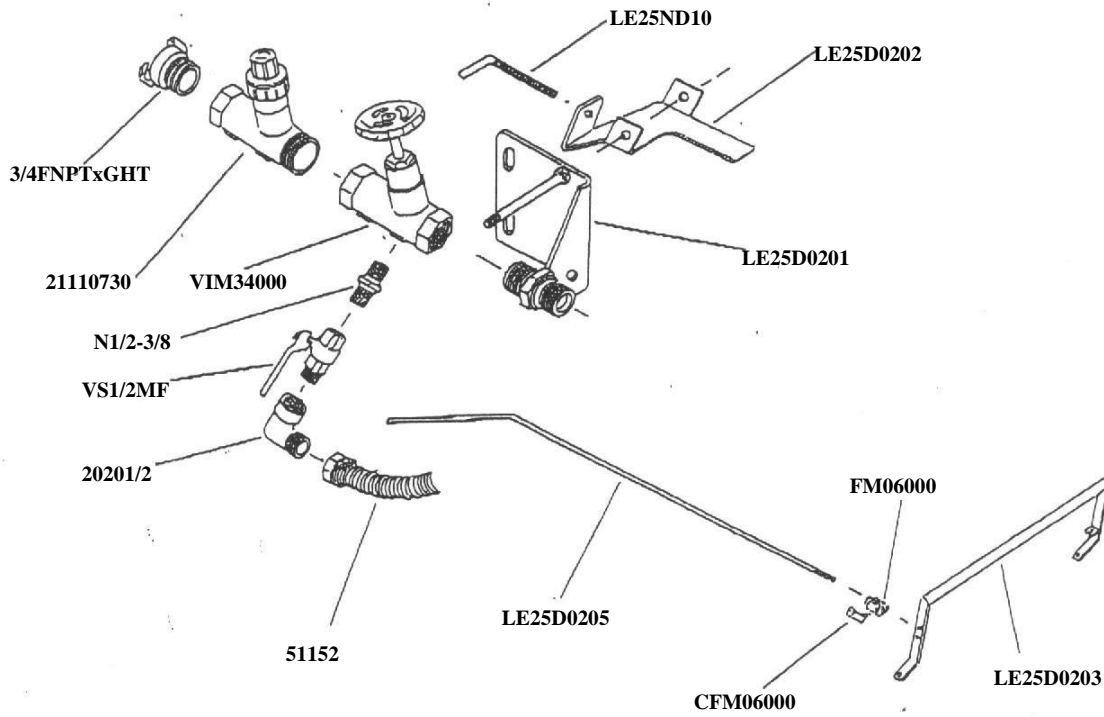
BA026027L25 (High Speed Drive Gear-not shown)

Sprinkler Cart



Parts Diagrams

Shut Off /Speed Control Assy.



KID Group, Inc.
DISTRIBUTOR, DEALER/SELLER, PURCHASER AGREEMENT

LIMITED WARRANTY AND REMEDY:

WARRANTY

KID Group, Inc. as distributor, warrants to the original purchaser only of the Micro Rain Irrigation Equipment described in the face hereof as of the date of the original invoice, that the equipment is merchantable and free from defects in material and workmanship.

This warranty does not apply to certain component parts used on Micro Rain equipment. Warranty shall be provided by the original manufacturer of these components. Such components include, but are not limited to tires and tubes, boost pump motors, PTO drive shafts, valves, and batteries.

REMEDY

If KID Group, Inc. determines that the above warranty was breached with respect to any part or component provided by the manufacturer of Micro Rain equipment, (and if all conditions set forth below have been satisfied) then, KID Group, Inc. will (at KID Group, Inc.'s option) repair or provide purchaser replacement parts F.O.B. Yukon, OK. As follows:

All components of new Micro Rain system for 1 year from original equipment invoice, free of charge.
KID Group, Inc. will repair or provide replacement polyethylene tube for any tube KID Group, Inc. determines has failed, due to defects in workmanship or materials for 3 years from the date of original invoice, free of charge.

All remedies provided herein are for parts only, no labor or freight allowance for return parts is implied.

This warranty extends only to the original purchaser of Micro Rain equipment purchased from an authorized Micro Rain dealership.

CONDITIONS TO ENFORCEABILITY AND CLAIMS:

Equipment has been maintained and operated within the guidelines outlined in Micro Rain owner's operation and maintenance manual.

Equipment warranty shall be considered void if any component or function of the equipment has been altered in any form other than what has been provided or intended by the original equipment manufacturer .

Any claim must be submitted on form provided by KID Group, Inc. in writing immediately and in no event longer than 20 days from occurrence.

Purchaser/Dealer must return all parts within 45 days of KID Group, Inc.'s authorization date, that have been determined by KID Group, Inc. to be defective to the Purchaser/Dealer with Purchaser/Dealer being responsible for freight.

LIMITATIONS:

Neither KID Group, Inc. nor Dealer/Seller shall be liable for any incidental or consequential damages (including but not limited to, damages for injury to the person, property or lost turf, crops or profits) by reason of any defect in the equipment or its manufacture, design, or function.

KID Group, Inc.
12/00